

Eddy current sensor WSD S2/10



Application

The eddy current sensor WSD-S2/10 has a strictly linear measuring range and can therefore be used for all different kinds of sensing tasks, e.g. for highly precise distance measurement against steel, at high measurement speeds. This also includes double-sheet monitoring on punching tools. The electronic is in the sensor integrated. The analog output signal is from 0 to 10V DC.

Features

- high measurement precision
- integrated electronic
- high measurement speed
- contactless measuring
- Analog output (0...10V)
- pluggable
- simply installation



TRsystems GmbH
Freiburger Str. 3
D-75179 Pforzheim

Tel +49(0)7231/3152-0
Fax +49(0)7231/3152-99
unidor@trsystems.de
www.trsystems.de

Eddy current sensor

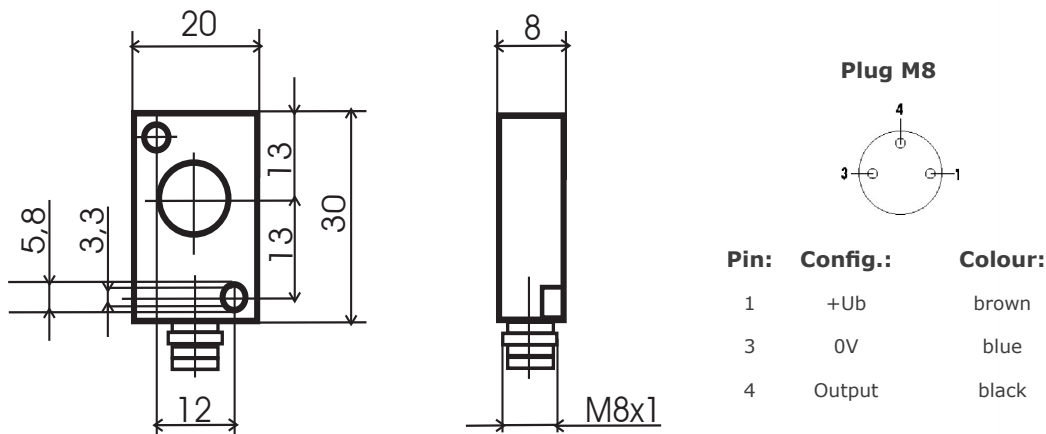
WSD S2/10



Technical Data

Power supply:	+21,6... +26,4VDC
Current consumption:	15mA
Measuring range:	0,5 ... 2 mm
Linearity:	± 2,0 %
Resolution:	< 0,002 mm
Repeatability:	0,012 mm
Operate time:	0,5 ms
Output signal:	0 ... 10 VDC
Connection:	Plug M8 / 3 pin
Operating temperature:	-10 ... +70 °C
Housing: / Enclosure rating:	Alu anodized / IP 67

Dimensions



Order Data

Article-No.	Short term	Description
51019652	WSD S2/10	Eddy current sensor WSD S2/10, pluggable
64060128	WSD CAB 3/3-3,0	Cable WSD S2/10 ASD - Length L= 3,0m

TRsystems GmbH
 Freiburger Str. 3
 D-75179 Pforzheim

Tel +49(0)7231/3152-0
 Fax +49(0)7231/3152-99
 unidor@trsystems.de
 www.trsystems.de