

IR-Fork Frame Light Barrier LAG M40 Series



Application

Frame light barriers of the LAG-M Series are used wherever ultra-small, non-guided parts need to be detected from a size of 0,2mm. When the measuring object passes the light curtain, it triggers a voltage pulse, which is adjustable by a step switch between 20 to 300ms. With their sturdy housing and high type of protection the LAG-M Series are designed for sophisticated applications in the machine building industry.

The sensor is connected via an 8pin-plug to the external amplifier FLB CON1-Q.

With the optional analog output it can be used for measuring technique.

Technical features

- Very small type
- High sensitivity (parts > 0,3mm)
- Insensitive to external effect of light
- External amplifier with adjustable pulse length and sensitivity
- Dirt accumulation compensation with indicator (yellow)
- Switching state indicator (green/red)
- Oil-resistant PUR-cable
- Scratch-resistant optic

Option

- Analog output 0-10 Volt
- Switching output NPN



IR-Fork Frame Light Barrier

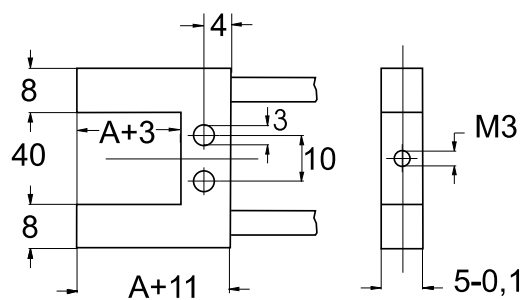
LAG M40 Series

Technical Data

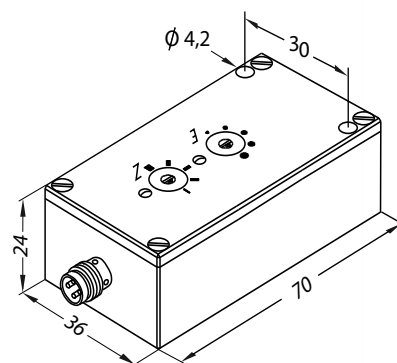
Voltage supply:	+12VDC... +32VDC
Max. range:	Typ. 200mA
Transmitter:	IR-Type
Min. visible part:	0,2mm
Ambient light:	Up to 5000 Lux
Max. switching current:	PNP dynamic, 200mA max. (optional NPN)
Pulse length Z for switching output:	Adjustable in 20/50/100/200 oder 300ms
Switching state indication:	LED green/red
Dirt accumulation indication:	LED yellow
Sensitivity E:	Part size in 5 steps
Switching frequency:	1 kHz
Housing: / Enclosure rating:	Aluminium, gold coloured anodized / IP 67

Dimensions/Configuration:

Frame Light Barrier

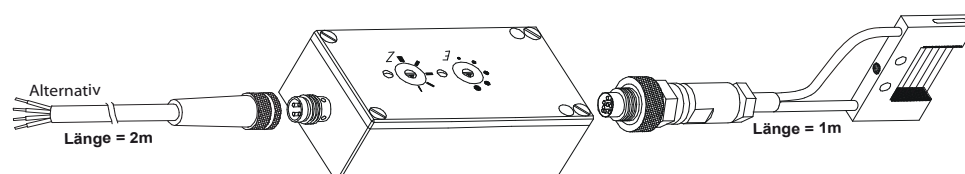


Amplifier FLB-CON 1-Q



Fork type	A	Pin-No.	4pin. M8 Plug	Connectioncable
40/10	10	1	+ UB (12-32VDC)	brown
40/15	15	2	n.c. (opt. analog)	white
40/20	20	3	GND	blue
40/25	25	4	PNP dyn. (High-signal at free beam)	black
40/30	30			
40/40	40			
40/50	50			

Sensor with amplifier



UNIDOR GmbH
 Freiburger Str. 3
 D-75179 Pforzheim

Tel +49(0)7231/3152-0
 Fax +49(0)7231/3152-99
 info@unidor.de | www.unidor.de

IR-Fork Frame Light Barrier

LAG M40 Series

Order Data

Article-No.	Short term	Description
51019255	LAG-M40/10	Frame type sensor LAG-M 40/10 – cable-length = 1m
51019256	LAG-M40/15	Frame type sensor LAG-M 40/15 – cable-length = 1m
51019257	LAG-M40/20	Frame type sensor LAG-M 40/20 – cable-length = 1m
51019258	LAG-M40/25	Frame type sensor LAG-M 40/25 – cable-length = 1m
51019259	LAG-M40/30	Frame type sensor LAG-M 40/30 – cable-length = 1m
51019260	LAG-M40/40	Frame type sensor LAG-M 40/40 – cable-length = 1m
51019261	LAG-M40/50	Frame type sensor LAG-M 40/50 – cable-length = 1m
51019251	FLB-CON 1-Q	Amplifier for LAG-M light barrier with PNP dyn.
51019252	LAG-CON 1	Connecting cable 2m for FLB-CON 1-Q (open end)
641040080020	CCB LAG-M V*WZS (4B/7S)	Connecting cable 2m for FLB-CON 1-Q with 7pin plug.

