

Eddy current sensor WSD S2/10F



Application

The eddy current sensor WSD-S2/10F has a strictly linear measuring range and can therefore be used for all different kinds of sensing tasks, e.g. for highly precise distance measurement against steel, at high measurement speeds. This also includes double-sheet monitoring on punching tools.

The electronic is in the sensor integrated.

The analog output signal is from 0 to 10 VDC.

Features

- high measurement precision
- integrated electronic
- high measurement speed
- contactless measuring
- Analog output (0...10V)



TRsystems GmbH
Freiburger Str. 3
D-75179 Pforzheim

Tel +49(0)7231/3152-0
Fax +49(0)7231/3152-99
unidor@trsystems.de
www.trsystems.de

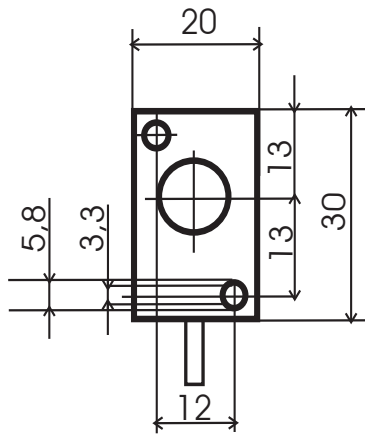
Eddy current sensor WSD S2/10F



Technical Data

Power supply:	+21,6... +26,4VDC
Current consumption:	15mA
Measuring range:	0,5 ... 2 mm
Linearity:	± 2,0 %
Resolution:	< 0,002 mm
Repeatability:	0,012 mm
Operate time:	0,5 ms
Output signal:	0 ... 10 VDC
Connection:	Cable length 2m
Operating Temperature:	-10 ... +70 °C
Housing: / Enclosure rating:	Alu anodized/ IP 67

Dimensions



Config.:	Colour:
+Ub	brown
0V	blue
Output	black

Order Data

Article-No.	Short term	Description
51019678	WSD S2/10F	Eddy current sensor WSD S2/10F with 2m cable

TRsystems GmbH
Freiburger Str. 3
D-75179 Pforzheim

Tel +49(0)7231/3152-0
Fax +49(0)7231/3152-99
unidor@trsystems.de
www.trsystems.de