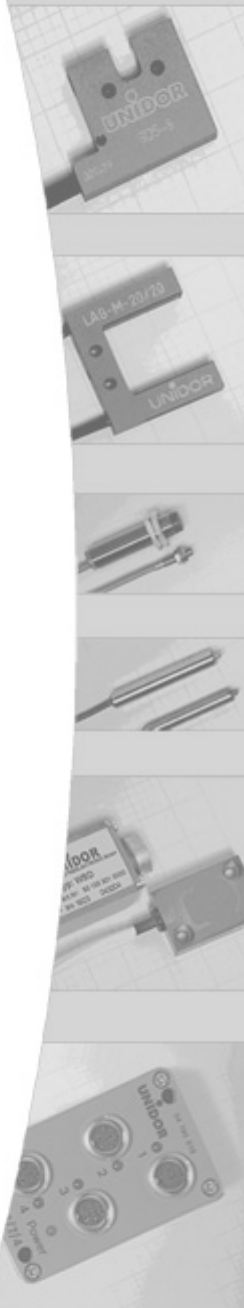
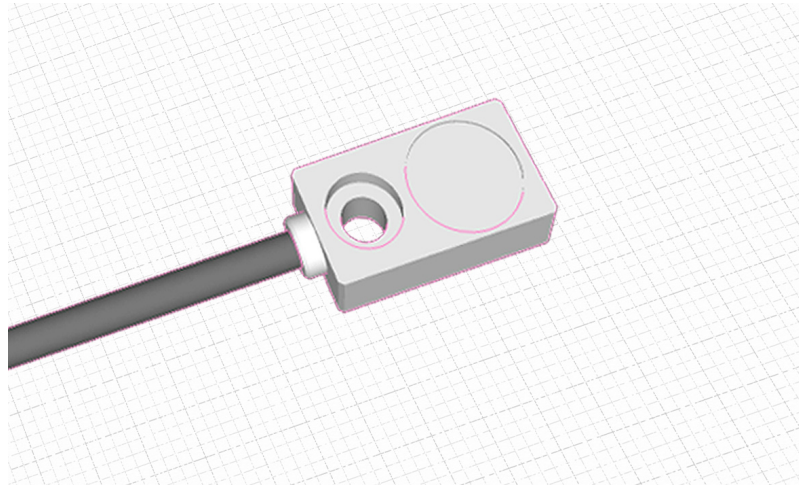


Eddy current sensor WSD S2/10M-F



Application

The eddy curr. sensor WSD-S2/10MF has a strictly linear measuring range and can therefore be used for all different kinds of sensing tasks, e.g. for highly precise distance measurement against steel, at high measurement speeds. This also includes double-sheet monitoring on punching tools. The electronic is in this small sensor integrated. The analog output signal is from 0 to 10V DC.

Features

- high measurement precision
- integrated electronic
- high measurement speed
- contactless measuring
- Analog output (0...10VDC)
- extremely flat and small
- simply installation

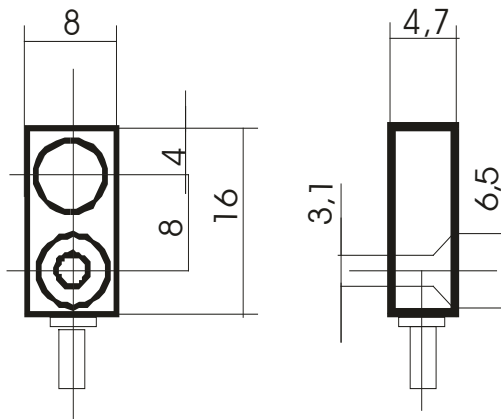
Eddy current sensor WSD S2/10M-F



Technical Data

| | |
|------------------------------|---|
| Power supply: | 15...30 VDC |
| Current consumption: | < 20mA |
| Measuring range: | 0...2 mm |
| Linearity: | ± 100µm |
| Resolution: | 1,5µm(stat.) / 5µm(dyn.) |
| Repeatability: | < 20µm |
| Operate time: | < 1ms |
| Output signal: | 0 ... 10 VDC |
| Connection: | Cable PVC |
| Operating temperature: | -10 ... +60 °C |
| Housing: / Enclosure rating: | Zinc - cast-metall nickel-plated/ IP 67 |

Dimensions



| | |
|-----------------|----------------|
| Config.: | Colour: |
| +Ub | brown |
| 0V | blue |
| Output | black |

Order data

| Article-No. | Short term | Description |
|-------------|--------------|-----------------------------------|
| 51019681 | WSD S2/10M-F | Eddy current sensor WSD S2/10 M-F |

TRsystems GmbH
Freiburger Str. 3
D-75179 Pforzheim

Tel +49(0)7231/3152-0
Fax +49(0)7231/3152-99
unidor@trsystems.de
www.trsystems.de