

Eddy current sensor WSD S4/10



Application

The eddy current sensor WSD-S4/10 has a strictly linear measuring range and can therefore be used for all different kinds of sensing tasks, e.g. for highly precise distance measurement against steel, at high measurement speeds. This also includes double-sheet monitoring on punching tools. The electronic is in the sensor integrated. The analog output U signal is from 0 to 10V DC or output I from 4 to 20mA.

Features

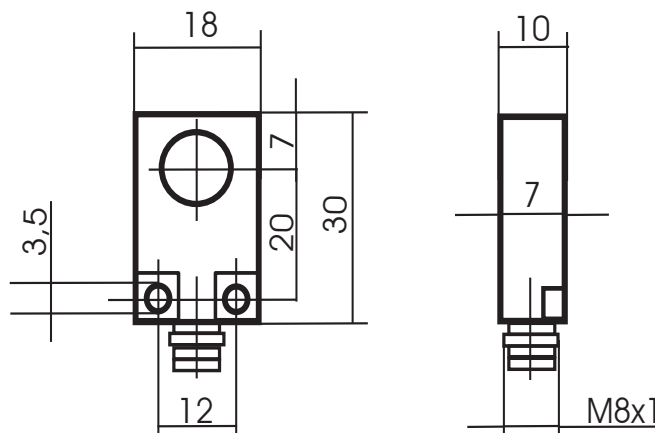
- high measurement precision
- integrated electronic
- high measurement speed
- contactless measuring
- Analog output (0...10V /4...20mA)
- pluggable
- simply installation

Eddy current sensor WSD S4/10

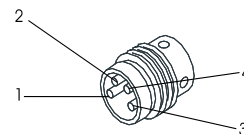
Technical Data

Power supply:	+15VDC... +30VDC
Current consumption:	20mA
Measuring range:	0 ... 4 mm
Linearity:	± 4,0 %
Resolution:	< 0,005 mm
Repeatability:	< 0,01 mm
operate time:	< 2,5 ms
Output signal(U/I):	0 ... 10 VDC / 4....20mA
Connection:	Plug M8
Operating temperature:	-10 ... +70 °C
Housing: / Enclosure rating:	Brass, nickel-plated / IP 67

Dimensions



Plug M8



Pin:	Configur.:	Colour:
1	+Ub	brown
2	Output I	white
3	0V	blue
4	Output U	black

Order data

Article-No.	Short term	Description
51019616	WSD S4/10	Eddy current sensor WSD S4/10, pluggable
64060120	WSD CAB 4/4-1,5	Cable WSD S4/10 ASD - Length L= 1,5m
64060121	WSD CAB 4/4-3,0	Cable WSD S4/10 ASD - Length L= 3,0m
64060122	WSD CAB 4/4-5,0	Cable WSD S4/10 ASD - Length L= 5,0m

TRsystems GmbH
Freiburger Str. 3
D-75179 Pforzheim

Tel +49(0)7231/3152-0
Fax +49(0)7231/3152-99
unidor@trsystems.de
www.trsystems.de